

Mini-Mist Collectors

Models MM 500 and MM 1200

Compact, machine-mountable mist collectors dedicated for use on combined machine operations.

- Three stage filtration for high filtration efficiency and optimum filter life.
- Handles mist, smoke, and particulate applications from 300-1200 cfm.
- Standard Minihelic® gauge indicates when filter maintenance is required.
- Hinged access doors makes filter changeout easy and simple.
- Productivity increases and morale improves by providing a cleaner working environment.
- Helps to meet OSHA Clean Air Standards.
- Optional HEPA filter is available on all models.

Designed to filter contaminants from machining operations and industrial processes.

- CNC machining
- Grinding
- Turning
- Milling
- Drilling operations



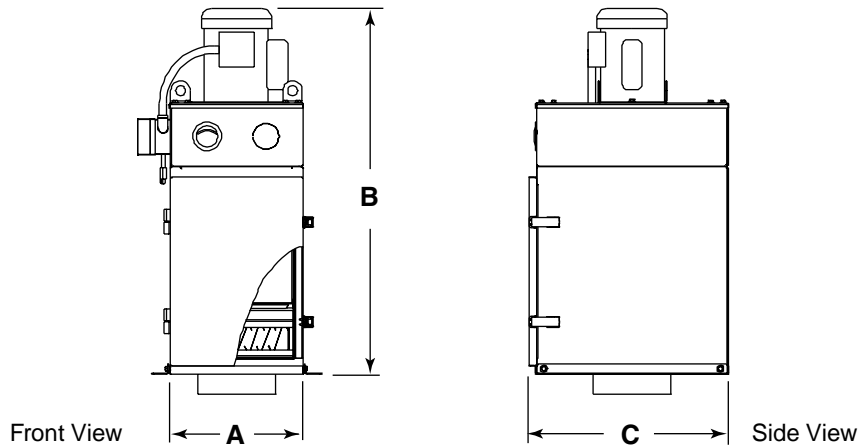
MM 1200 with Optional Junction Box



MM 500 with Optional HEPA

Mini-Mist Collectors

Dimensions & Specifications



Model	Description	Nominal Airflow* (cfm)	1st Stage	2nd Stage	3rd Stage	Inlet Collars	Dimensions (in)			Shipping Weight (lbs)
							A	B	C	
MM 500	Machine-mountable, 3-stage filtration, 1/2 hp power pack	500	4" alum. impinger	1" alum. mesh	95% high-loft glass fiber filter	6", 8"	13.5	39.2	20.3	95
MM 500 w/HEPA option	Machine-mountable, 3-stage filtration plus HEPA filter, 1/2 hp power pack	300	4" alum. impinger	1" alum. mesh	95% high-loft glass fiber filter	6", 8"	13.5	49.7	20.3	120
MM 1200 1 hp	Machine-mountable, 3-stage filtration, 1 hp power pack	1000	4" alum. impinger	1" alum. mesh	95% high-loft glass fiber filter	6", 8" or 10"	25.5	41.4	24.3	285
MM 1200 1 hp w/HEPA option	Machine-mountable, 3-stage filtration plus HEPA filter, 1 hp power pack	800	4" alum. impinger	1" alum. mesh	95% high-loft glass fiber filter	6", 8" or 10"	25.5	54.7	24.3	350
MM 1200 1 1/2 hp	Machine-mountable, 3-stage filtration, 1 1/2 hp power pack	1200	4" alum. impinger	1" alum. mesh	95% high-loft glass fiber filter	6", 8" or 10"	25.5	41.4	24.3	290
MM 1200 1 1/2 hp w/HEPA option	Machine-mountable, 3-stage filtration plus HEPA filter, 1 1/2 hp power pack	950	4" alum. impinger	1" alum. mesh	95% high-loft glass fiber filter	6", 8" or 10"	25.5	54.7	24.3	355

* Based on clean filters.

Standard Features

- Three-stage filtration
- Direct-drive fans—1/2, 1, and 1.5 hp
- Hinged access door
- High-loft, fine-fiber primary filter
- 10-year warranty

Equipment Options

- Inlet hose kit
- High efficiency first-stage filter (MM 1200 only)
- P-Trap (MM 1200 only)
- Inlet plenum (MM 1200 only)
- Support legs (MM 1200 only)



Donaldson Company, Inc.
Industrial Air Filtration
P.O. Box 1299
Minneapolis, MN 55440

Tel 800-365-1331(USA)
Tel 800-343-3639 (within Mexico)
dustmktg@mail.donaldson.com
www.donaldsoncorp.com



Information in this document is subject to change without notice.

© 2002 Donaldson Co., Inc.
Printed in U.S.A. on recycled paper
Data Sheet Mini-Mist (06/04)